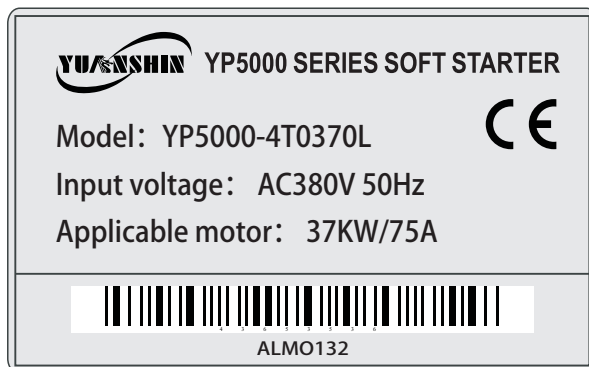




YP5000 SERIES SOFT STARTER

1 Nameplate rules



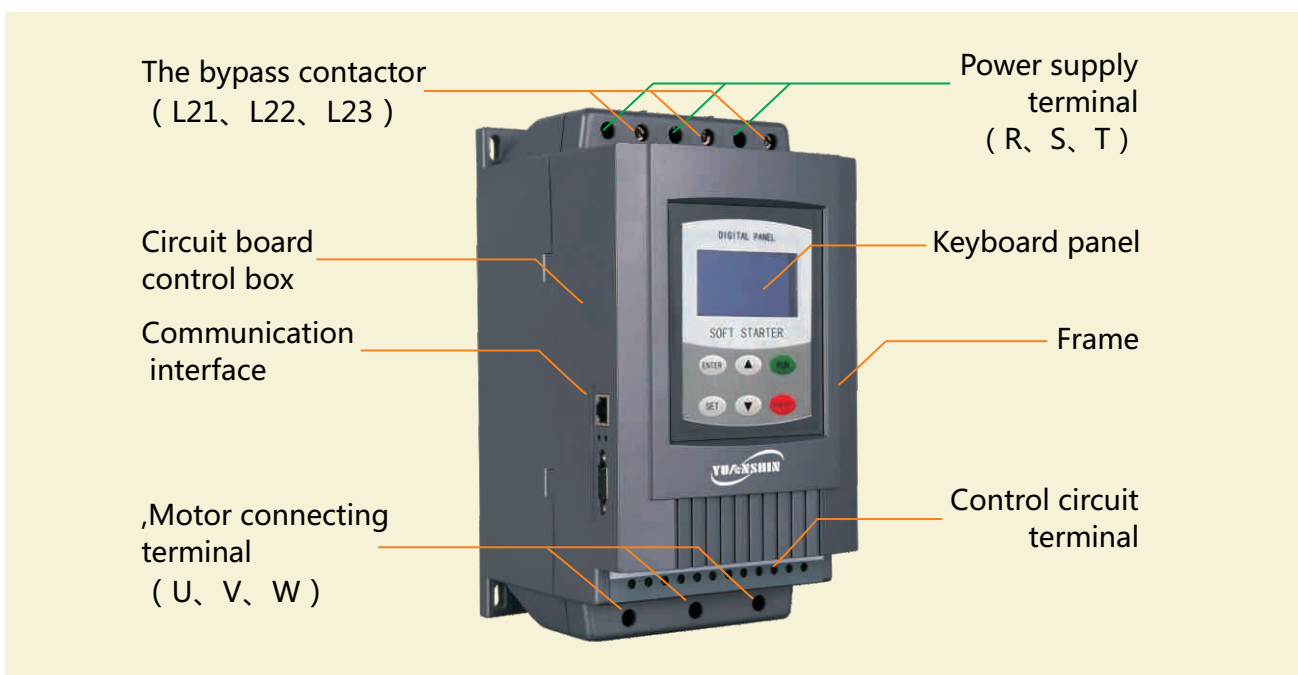
2 Model description

YP5000 – 4 T 0370 L

①
②
③
④
⑤

key	No	Content
Abbreviation	①	Product series
Voltage level	②	2: 220V 4: 380V
Input voltage	③	S: Single Phase T: Three Phase
Power adapter	④	Power adapter
Load type	⑤	L: Over load type M: Light load type

3 Connection terminal



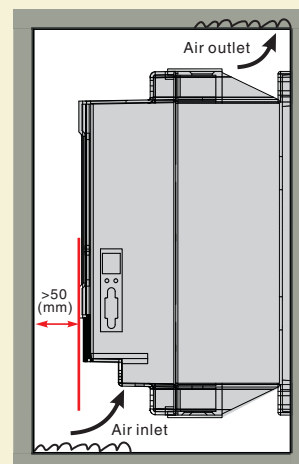
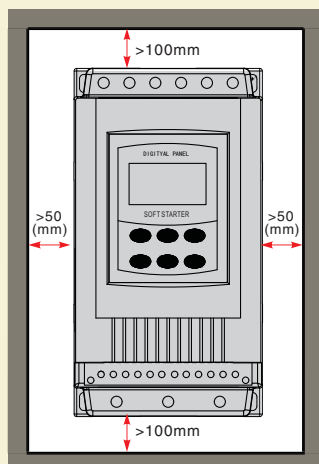
4 Technical Specification

Item	Desc
Certification/QCS	CE, TUV/ISO9001
(VAC) Three-phasepower supply voltage	380V±15%
Frequency	50Hz
Apply to the motor	Rattrap type three-phase asynchronous motor
Starting frequency	Depending on the load, it is recommended that no more than 20 times per hour.
Protection level	IP40 (Negotiable)
Power of resisting voltaic impingement	15g/11ms
Shock resistance	Below 3000m above the ground, vibration power plant under 0.5G
Environment temperature/working temperature	-10°C to +40°C w/o derating (between 40°C-60°C, rasing each 1°C will cause 1.2% current derating)
Storage temperature	-25°C~70°C
Environment humidity	90% RH in Max. (no dewing)
Maximum working height	Below 1000 meters non-condensing (more than 1000 meters, each additional 100 meters, the current reduced by 0.5%)
Type of cooling	Natural air cooling
Vertical installation location relative to the maximum working angles	No requirement

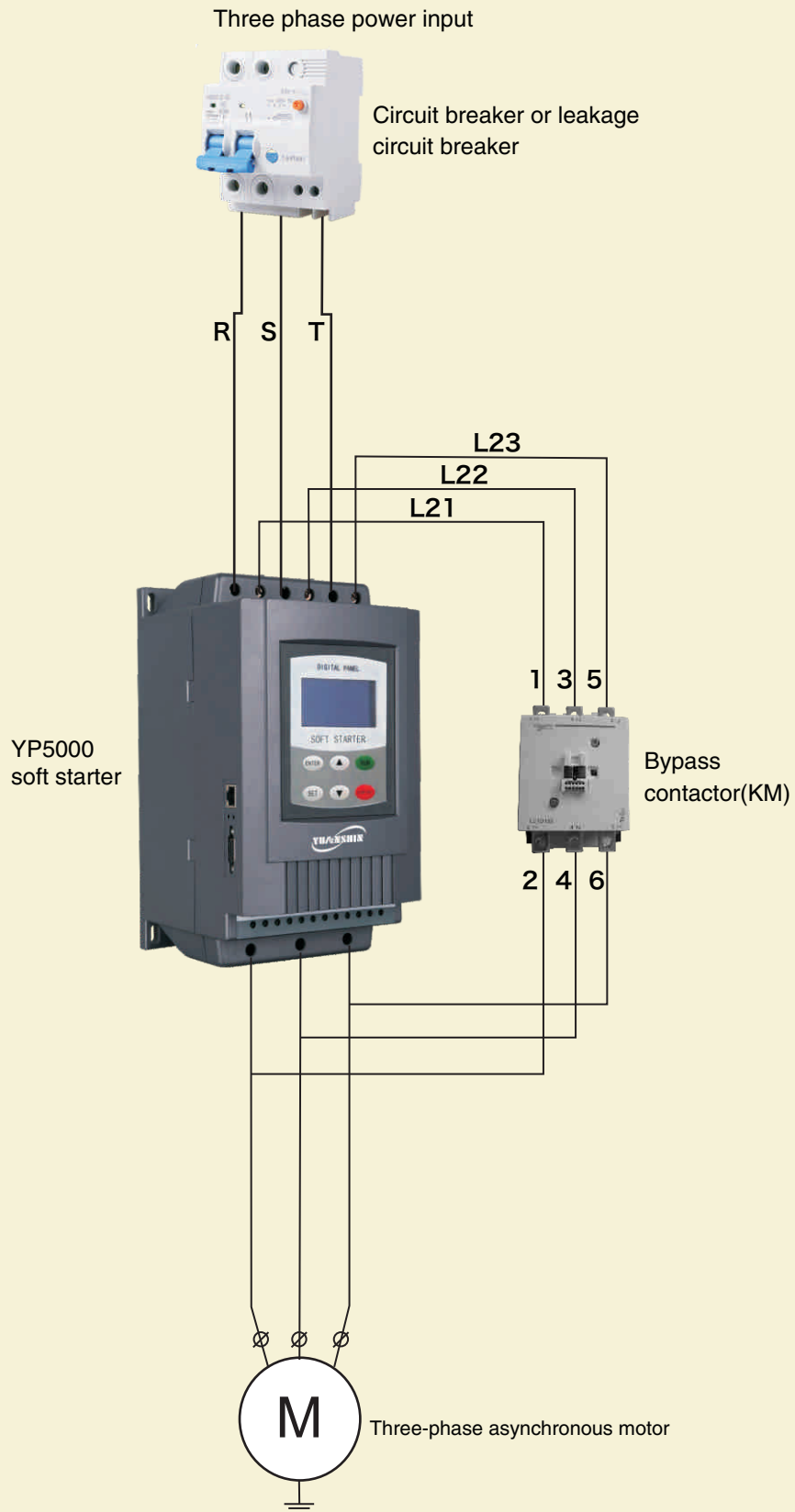
5 Installation requirements

Soft starter should be installed vertically, do not flip, ramp or horizontal installation. Use screws to secure the structure.

For vertical installation of the soft starter, adequate cooling room should be left, so as to ensure effective cooling, see following drawing for details shown as below.

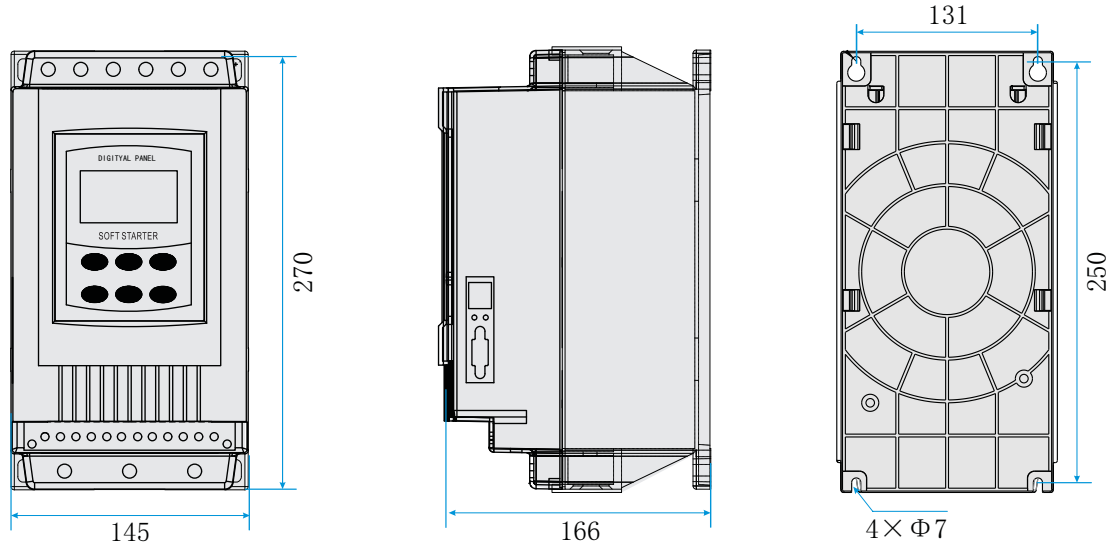


6 Main circuit connection diagram



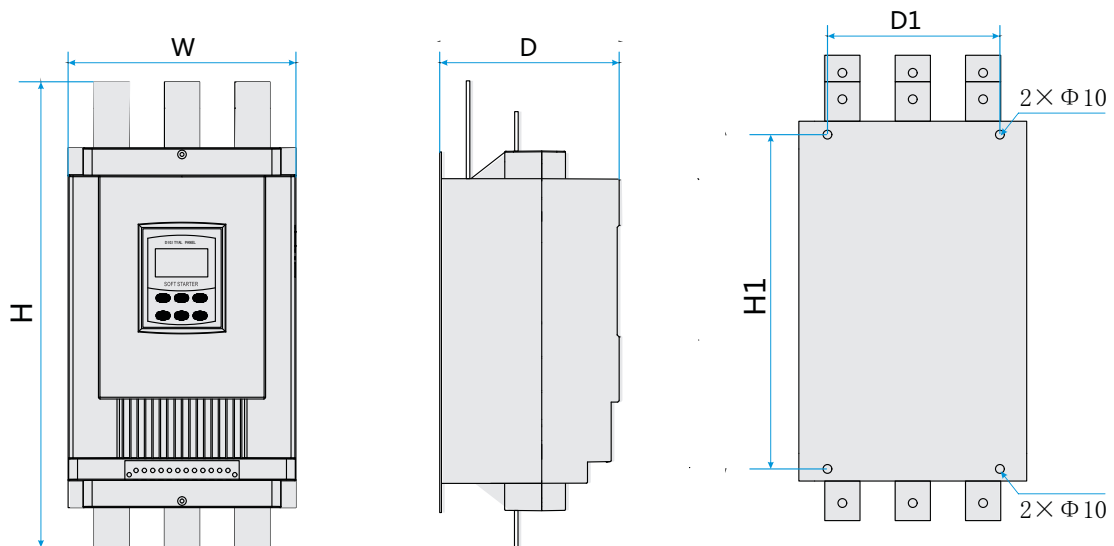
7 Installation dimension

YP5000-4T0110L~YP5000-4T0750M



Model	H	W	D	H1	D1	Aperture
YP5000-4T0110L~YP5000-4T0750M	270	145	166	250	131	4×Φ10

YP5000-4T0110L~YP5000-4T4000L



Model	H	W	D	H1	D1	Aperture
YP5000-4T0750L~YP5000-4T2000L	529	259	204	380	196	4×Φ10
YP5000-4T2500L~YP5000-4T3200L	560	290	215	465	260	
YP5000-5000L	590	330	215	510	300	

Energy efficient , beautiful environment

Yuanxin Electric Tech Co., Limited

📍 Add: 6/F, Building 6, Zhongyuntai Tech-Park, Shiyan Street, Baoan District, Shenzhen, China

☎ Tel: 0086-0755-26523920

📠 Fax: 0086-0755-26443893

📞 Hotline: 400-888-2657

🌐 <http://www.yuanxindrive.com>

