



ENC ELECTRIC

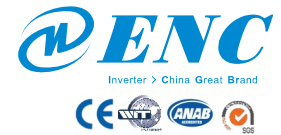
SHENZHEN ENCOM ELECTRIC TECHNOLOGIES CO.,LTD.

Http://www.encvfd.com Email:encvfd@encvfd.com

Tel.:+86-755-26984485 Fax:+86-755-26985120

Note: This Brochure is made and printed for the purpose of describing relevant information of the products only. Shenzhen Encom Electric Technologies CO., LTD. reserves the right to make changes to the product(s) or information contained in this Brochure due to technical upgrade etc. without notice. Please contact us or the local agent before placing an order.

V18.01



# P

## Product Selection Brochure

# ENC ELECTRIC

SHENZHEN ENCOM ELECTRIC TECHNOLOGIES CO.,LTD.

# About Encom



1. Awarded "Top 10 brand in China" for 7 consecutive years
2. Founding Time: 2004
3. Number of Employees: 332
4. Company/Products Cert: ISO9001:2008, CE Approval
5. Main Item: Frequency Inverter /AC Drive /Variable Frequency Drive/Servo
6. R&D: Team of 50+ engineers with more than 10 years rich development experience, own international advanced asynchronous and synchronous vector control technology and torque control technology, own more than 10 patents
7. Factory Size: 38,000 m<sup>2</sup> brand-new manufacture base
8. Annual capacity: 400 million
9. Honor of Encom: National Innovation Fund  
Shenzhen Hi-tech R&D Subsidies  
Business-beginning Subsidies for Student Abroad  
Shenzhen Software Association Member

## Company Credit



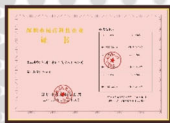
ISO9001:2008 Certificate



CE Certificate



National High-tech Enterprise



Certificate of Shenzhen Private Technological Enterprise



Cognizance Certificate of Hi-tech Enterprise



Registration Certificate of Software Products

## “ENC” Meaning:

1: Shape of it is deformed by e+N+e, and it comes from the pronunciation of the first letter of “Encom”, stands for Encom.

2: Two gradient radians represent that Encom is committed to the development of energy conversion technologies, upside means energy input, after transformed by “N”(ENCOM),output through downside radian.

3: The outside part of the overall image is arc (curve), of soft beauty, represent that Encom have a good attitude of friendly, sincere and win-win toward public relations group (customer and so on), the middle part has sharply angular, which means that the internal of company have powerful core strength, rigorous work style, standardized management.

"ENC" meaning: it is the first three letters of Encom, the abbreviation of Shenzhen Encom Electric Technologies CO., LTD.

## Company Profile:

Shenzhen Encom Electric Technologies CO.,LTD( Referred as “Encom”) is a National High-tech enterprise with independent intellectual property rights. Focusing on R&D, production and sales of industrial automation products, Encom still devotes to be the respected leader in industrial field worldwide. So far, we provide professional products and solutions for various domestic and foreign automation fields, such as intelligent manufacturing, lifting, machine tools, metal products, wire and cable, plastic, printing and packaging, textile, building materials, metallurgy, municipal, new energy etc.. Its main products include inverter, servo controller, PLC, new energy systems, etc.. ENCOM was founded in 2004 by Shen Hong and his elite team whom are all top experts in this field. Now our new production base in Shenzhen-Shantou Special cooperation area totally up to 38 thousand square meters, which can promote the sustainable development of our company, and finally will realize Encom’s value and customer value together.

## World-leading quality guarantee system



## Products series

- ② EN500 series high-performance flux vector inverter(3 phase 380V 75KW~630KW)
- ② EN600 series high-performance flux vector inverter(1 phase 220V 0.4KW~3.7KW, 3 phase 380V 0.75KW~55KW)
- ② EN630 series mini high-performance vector inverter(1 phase 220V 0.4KW~1.5KW, 3 phase 380V 0.75KW~1.5KW)
- ② EDS800 series mini universal inverter(1 phase 220V 0.2KW~2.2KW, 3 phase 380V 0.75KW~3.7KW)
- ② EDS1000 series multi-function universal inverter(1 phase 220V 0.4KW~3.7KW, 3 phase 380V 0.75KW~55KW)
- ② EDS780 single-board universal inverter(1 phase 220V 0.75KW)
- ② EAS200 series high-performance asynchronous servo driver(3 phase 380V 2.2KW~37KW)
- ② EN606 series asynchronous servo control cabinet for injection molding machine (3 phase 380V 7.5KW~75KW)
- ② EN610 series high protection grade inverter(3 phase 380V 0.75KW~3.7KW)
- ② EDS-A200 series single-phase induction motor control inverter(1 phase 220V 0.2KW~3.7KW)
- ② EN700 series intelligent inverter(3 phase 380V 4.0KW~220KW)

## Unique performance characteristic:

1. Adopt control unit which takes DSP as core to realize hi-speed and hi-performance control to the system and to realize low-frequency hi-torque output;
2. Multiple I/O interface to fulfill special demands from various industries;
3. Reasonable design of digital potentiometer and 3 classes menu for keypad;
4. Keypad parameter copy function;
5. Standard RS485 communication interface;
6. Support local and remote keyboard operation, 1000M available for remote keyboard;
7. Password protection function to avoid parameter malicious tampering;
8. Open product development platform, easy to customize;
9. Abundant communication protocol, Built-in standard MODBUS protocol and free protocol, Profibus, Canlink, Canopen optional.



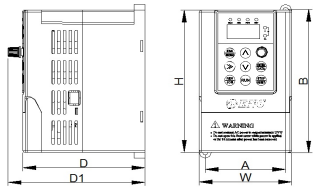
## EN630 Series Mini High performance vector inverter

1. Keyboard copy function
2. Built-in PID controller
3. Droop control
4. With AVR output
5. Rotary speed control
6. Built-in PG card
7. V/F curve setting can be customized
8. Free programming for I/O terminals
9. Non-stop for instantaneous power failure
10. Supporting multi-channel frequency setting
11. Supporting encoder detection and voltmeter detection under circuit breaking
12. Perfect intelligent protection functions such as overload, underload and so on
13. Have jumping frequency setting function which can restrain mechanical resonance
14. PG vector control, Non-PG vector control, Non-PG torque control, PG torque control, open loop V/F control

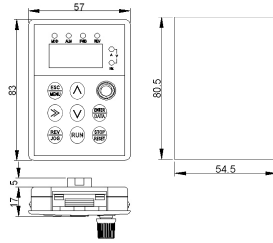


Applicable Industry: It can be widely used in food processing, machinery manufacturing, wire drawing machinery, printing machinery, textile machinery, cement processing, ceramic, medical equipment, metal processing and other small power drive on industrial controlling.

### Outer dimension



### Keypad and keypad installation box outer dimension (unit: mm)



### Installation size

Inverter type	W (mm)	H (mm)	D (mm)	D1 (mm)	A (mm)	B (mm)	Fix hole (mm)	Gross weight (kg)
EN630-2S0004								1.5
EN630-2S0007								1.5
EN630-2S0015	89	148.5	112.5	124.7	74	138	5	1.5
EN630-4T0007								1.5
EN630-4T0015								1.5



## EDS800 Series Universal mini inverter

1. Small size (W\*H\*L=8.9cm\* 14.85cm\* 11.25cm)
2. With the Adjustable speed potentiometer, the keyboard can be connected outside
3. Have RS485 interface, which can form the independent inverter network and the inverter can be taken as the host or slave machine
4. With Pulse /Analog input and output channel
5. 16 section speed control
6. Various given channels for running frequency and commands
7. A part or all of the keyboard can be locked. (Analog potentiometers can not be locked)
8. It has an isolated relay output terminal, which can be connected to the 220V/0.5A AC or DC load
9. It has textile sweating frequency function, which can be widely used in all kinds of textile equipments
10. Built-in user timer /counter

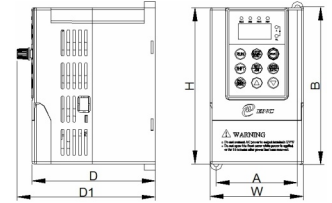
Power range: 1 phase 220V 0.2kw~2.2kw ; 3 phase 380V 0.75kw~3.7kw .



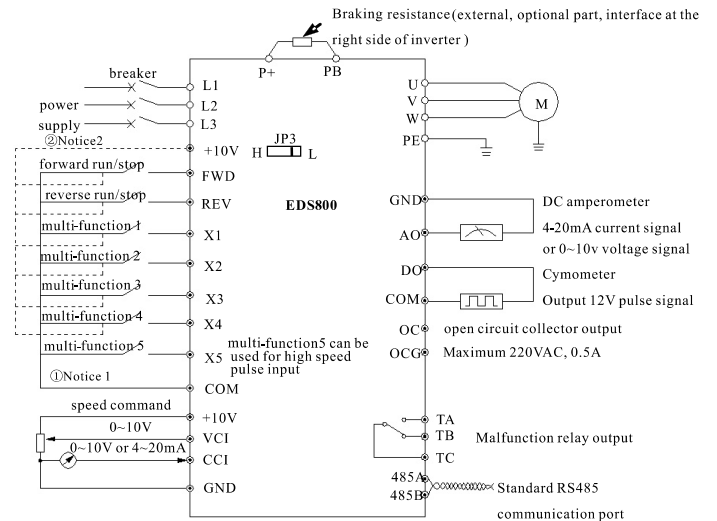
### Installation size

Inverter type	W (mm)	H (mm)	D (mm)	D1 (mm)	Fixing aperture (mm)	Gross weight (kg)	A (mm)	B (mm)
EDS800-2S0002N								
EDS800-2S0004N								
EDS800-2S0007N	89	148.5	112.5	124.7	5	1.5	74	138
EDS800-2S0015N								
EDS800-4T0007N								
EDS800-4T0015N								
EDS800-2S0022N								
EDS800-4T0022N	125	170	152.1	164.1	4.5	1.9	114.5	158
EDS800-4T0037N								

### Outer dimension



### Basic running wiring diagram



Notice1: When FWD, REV, X1~X5 terminal input signal need low level (or pup joint with COM) is effective. Please put JP3 on "L".  
Notice2: When FWD, REV, X1~X4 terminal input signal need high level (or pup joint with +10V) is effective. Please put JP3 on "H".